

SPARE PARTS SECTION

Motorised Swage & Jenny

Model SJM-1.2

Order Code S639

Edition No : SJM-1.2-1

Date of Issue : 05/2020

The following section covers the spare parts diagrams and lists that were current at the time this manual was originally printed. Due to continuous improvements of the machine, changes may be made at any time without notification.

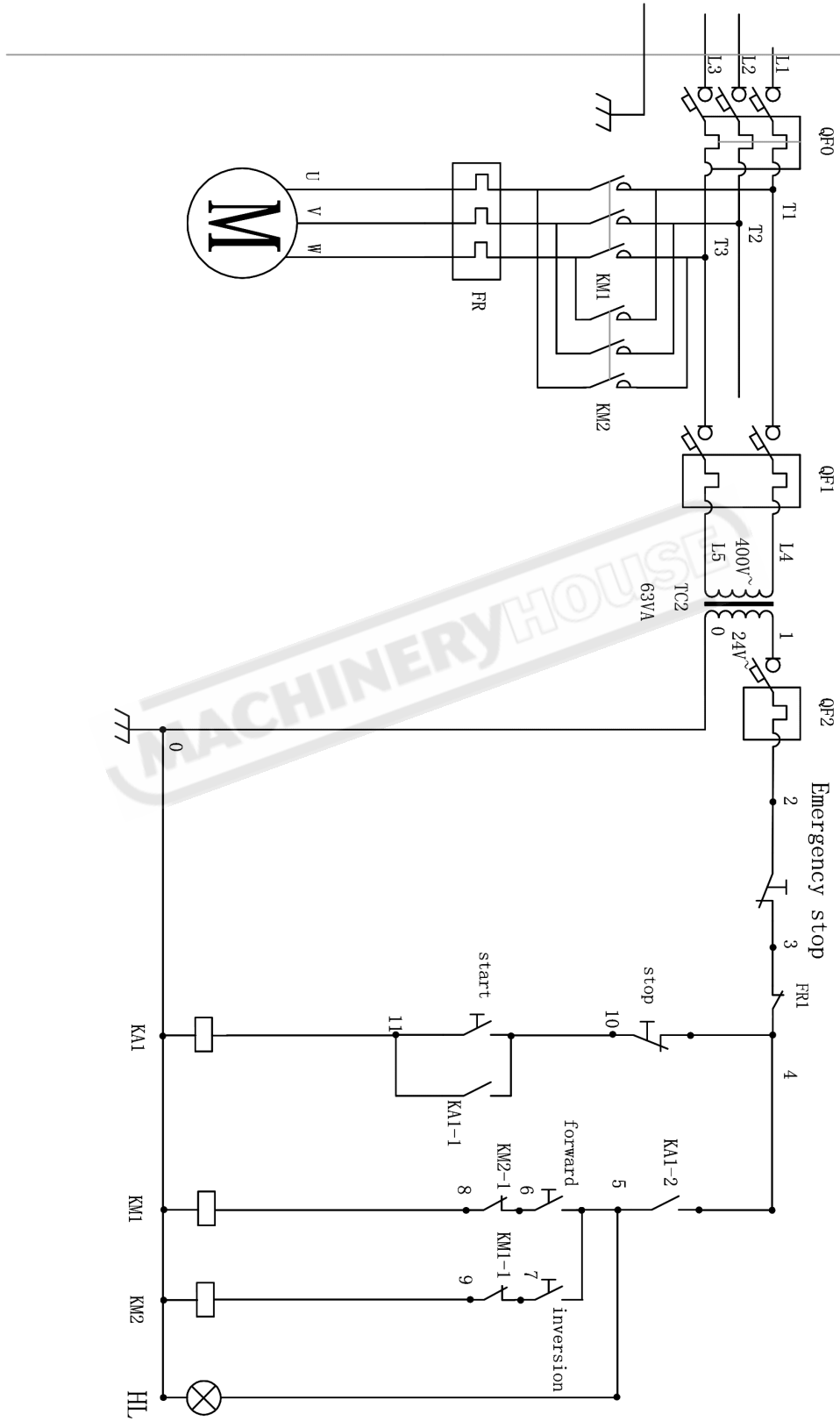
HOW TO ORDER SPARE PARTS

1. Have your machines **model number, serial number & date of manufacture** on hand, these can be found on the specification plate mounted on the machine
2. A scanned copy of your parts list/diagram with required spare part/s identified
3. Go to www.machineryhouse.com.au/contactus and fill out the inquiry form attaching a copy of scanned parts list.

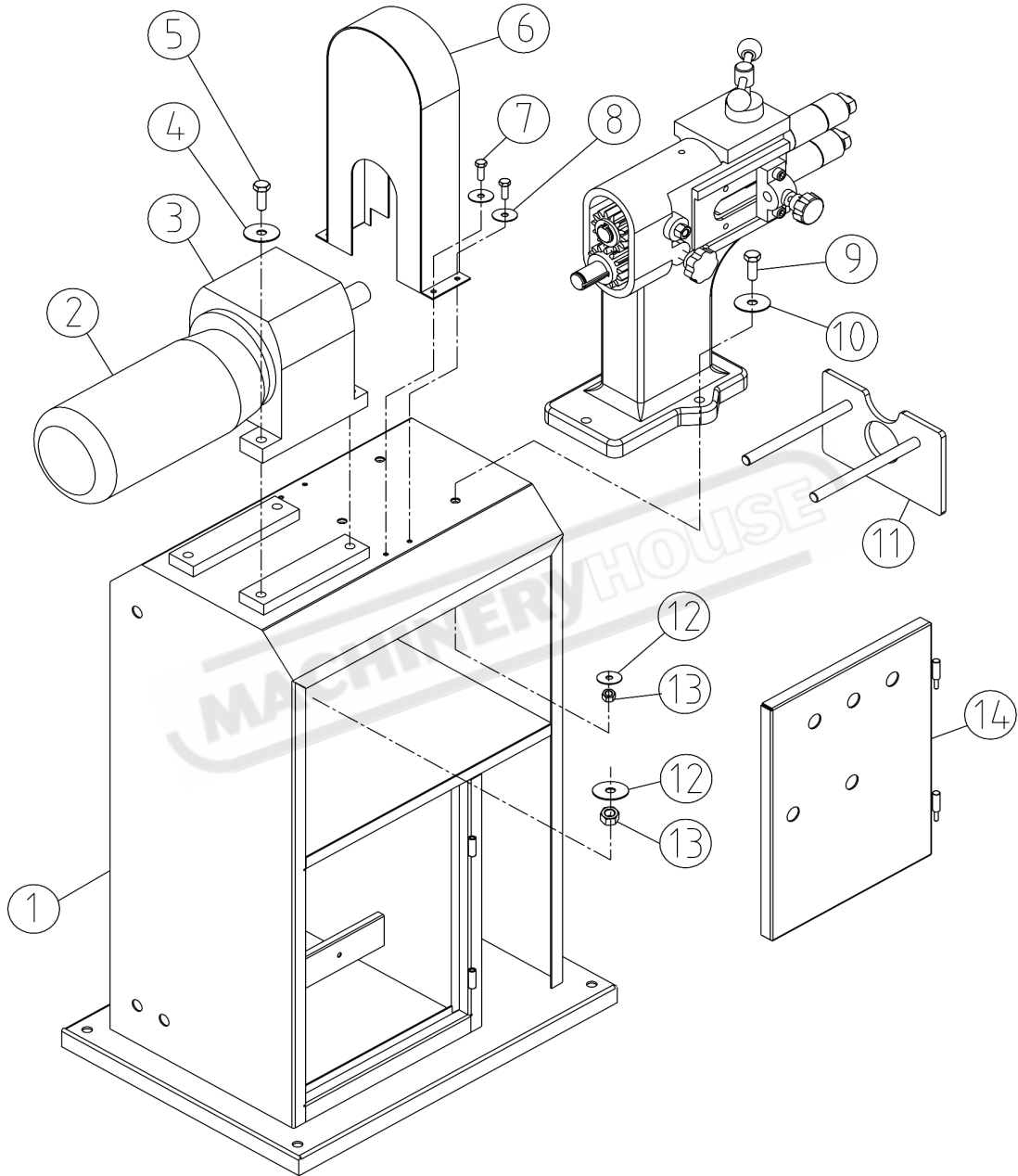
CONTENTS

Wiring Diagram.....	21
SJM-1.2 Cabinet Diagram.....	22
SJM-1.2 Spare Parts Diagram.....	23
SJM-1.2 Spare Parts List.....	24

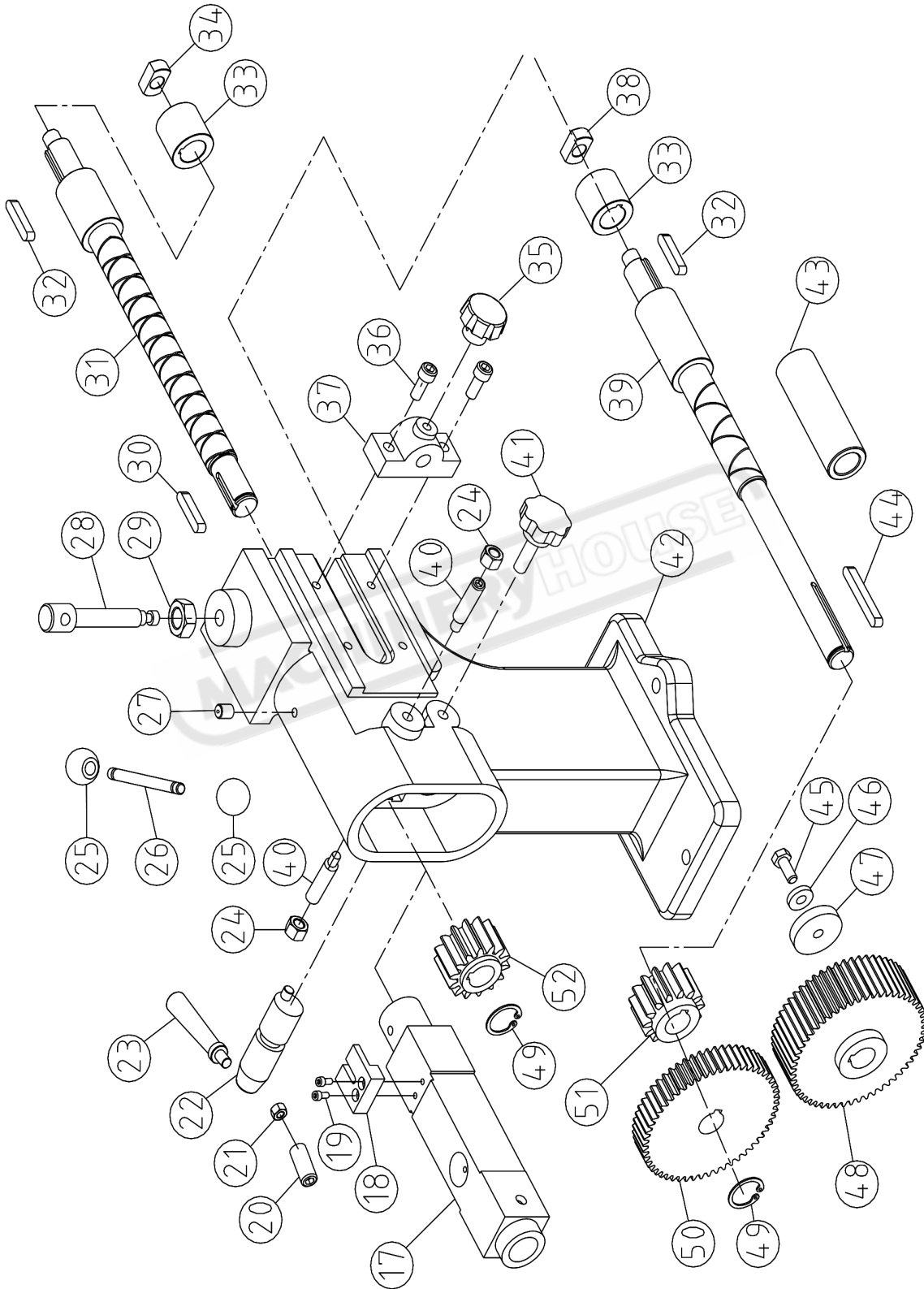
ELECTRICAL DIAGRAM



SJM-2.5 CABINET SPARE PARTS DIAGRAM



SJM-2.5 SPARE PARTS DIAGRAM



SJM-2.5 SPARE PARTS LIST

ITEM	DESCRIPTION	QTY.	ITEM	DESCRIPTION	QTY.
1	BASE	1	27	OIL CUP 8	1
2	MOTOR	1	28	SCREW ROD	1
3	REDUCER	1	29	SCREW M16	1
4	WASHER M12	4	30	FLAT KEY 6X40	1
5	BOLT M12X65	4	31	UPPER SHAFT	1
6	SAFETY GUARD	1	32	FLAT KEY 6X45	2
7	BOLT M6X12	4	33	SLEEVE	2
8	WASHER M6	4	34	PRESSURE COVER	1
9	BOLT M12X50	4	35	STAR-HANDLE M10X20	2
10	WASHER M12	4	36	BOLT M10X30	4
11	BRACKET	1	37	SHAFT SEAT	2
12	WASHER M12	8	38	PRESSURE COVER	1
13	SCREW M12	8	39	LOWER SHAFT	1
14	COVER OF ELECTRIC BOX	1	40	BOLT	1
15	SWITCH BOARD	1	41	ADJUSTING HANDLE M12X32	1
16	PEDAL SWITCH	1	42	BODY	1
17	LOWER SLEEVE	1	43	LOWER SLEEVE	1
18	SNAP-GAUGE	1	44	FLAT KEY 6X80	1
19	BOLT M6X20	2	45	BOLT M8X30	1
20	BOLT M8X30	1	46	WASHER 8	1
21	SCREW M8	1	47	PRESSURE COVER	1
22	ADJUSTING SHAFT	1	48	GEAR	1
23	HANDLE	1	49	RING 26	2
24	SCREW M12	2	50	BIG GEAR	1
25	HANDLE BALL M10	2	51	LOWER GEAR	1
26	HANDLE	1	52	UPPER GEAR	1